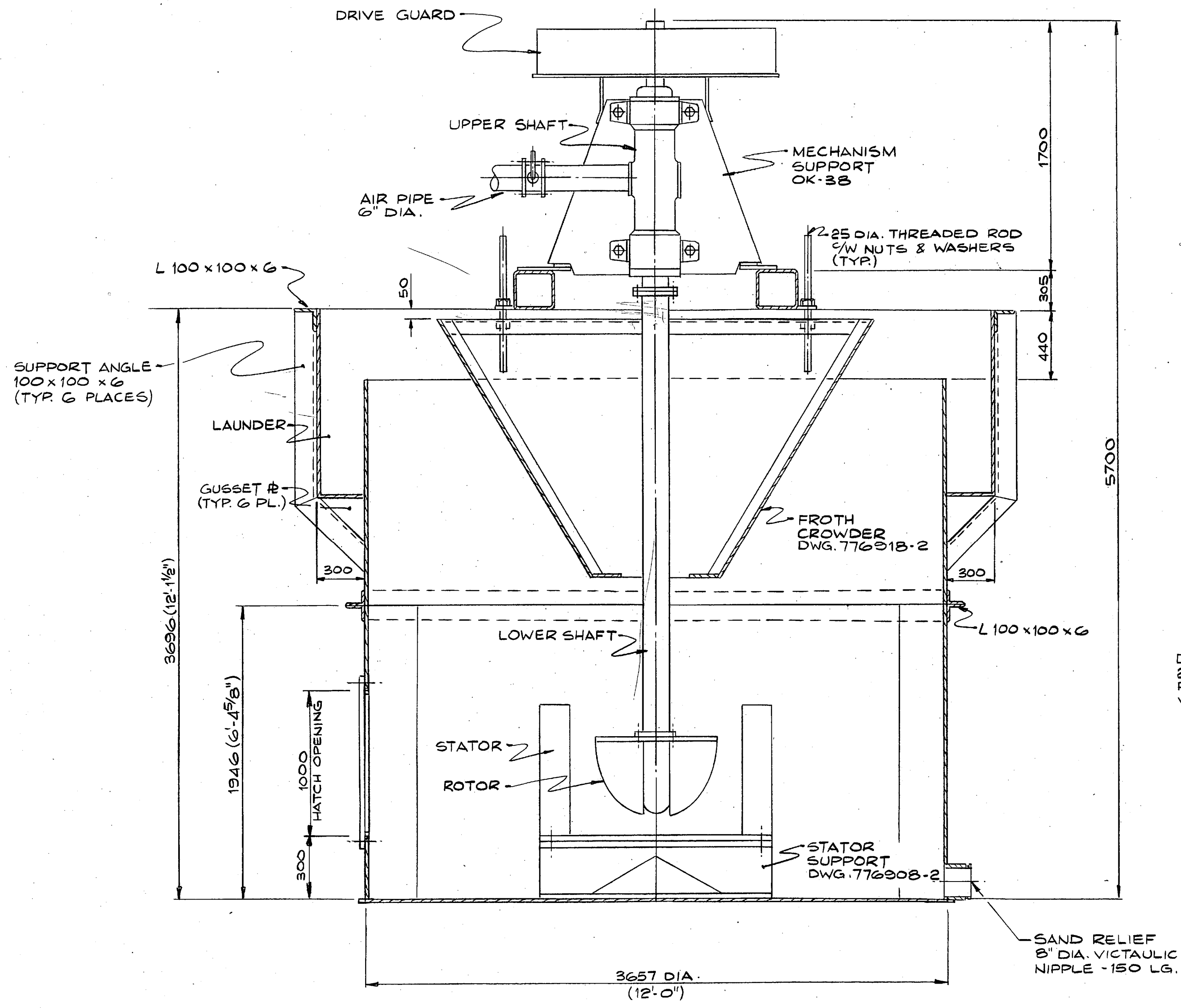
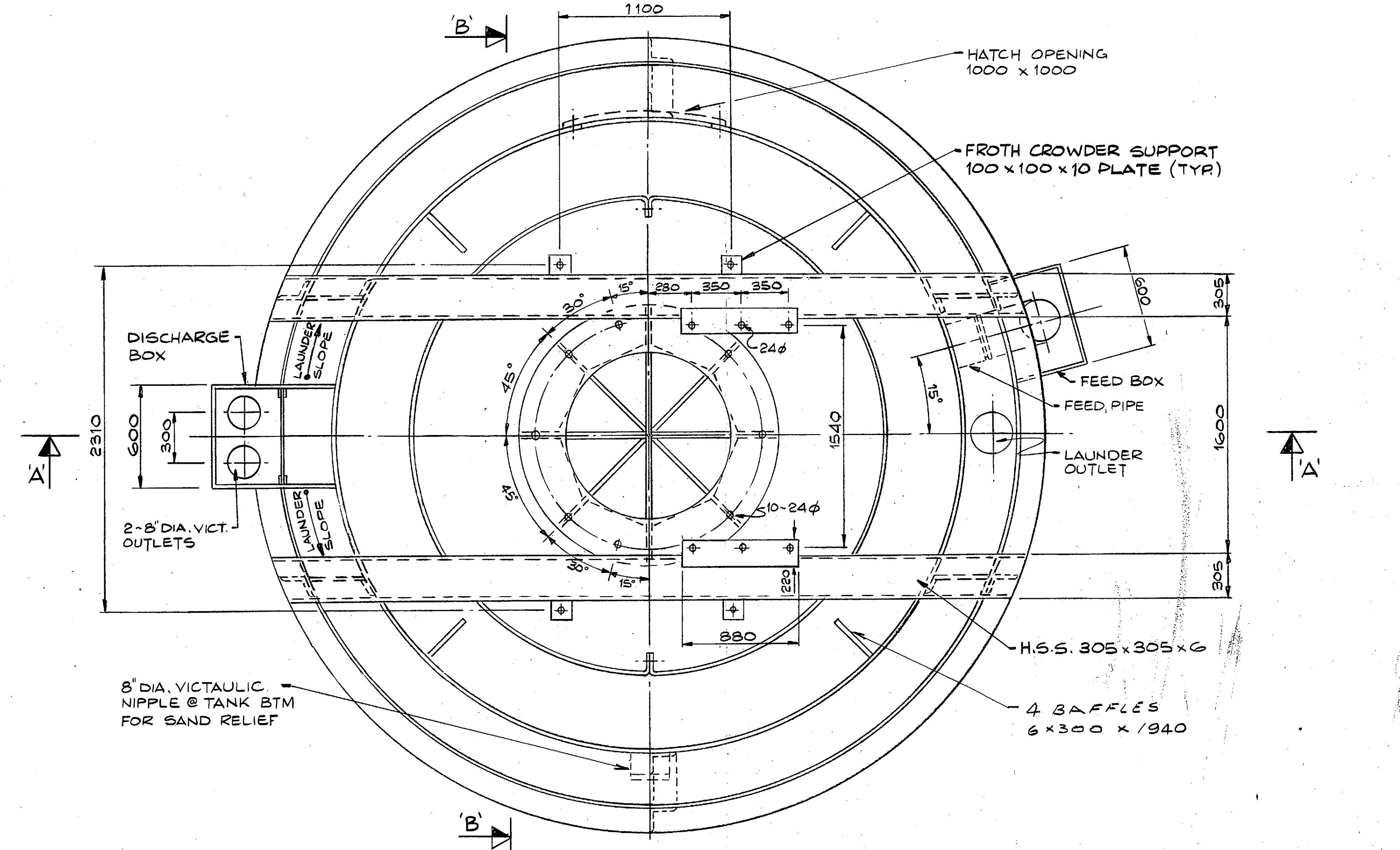


THIS DRAWING AND DESIGN, INCLUDING ANY PATENTED OR PATENTABLE FEATURES, EMBODIES CONFIDENTIAL INFORMATION OF OUTOKUMPU OY AND ITS USE IS CONDITIONED UPON THE USER'S AGREEMENT NOT TO REPRODUCE THE DRAWING OR DESIGN, IN WHOLE OR IN PART, NOR THE MATERIAL DESCRIBED THEREON, NOR TO USE THE DRAWING OR DESIGN FOR ANY PURPOSE OTHER THAN SPECIFICALLY PERMITTED IN WRITING BY OUTOKUMPU OY

- NOTE :
1. ALL CONSTRUCTION TO BE 6MM PLATE
 2. ALL WELDING TO BE 5 MM MIN. CONTINUOUS FILLET
 3. DRIVE MOTOR 100 H.P @ 900 R.P.M. (BY CUSTOMER)
 4. TOTAL WEIGHT OF ASSEMBLY 3,500 KG.



SECTION B-B



SECTION A-A

DRAWING NO.	REFERENCE DRAWING	REVISION NO.	REVISIONS	DATE	DRAWN	CHECKED	APPROVED	MICRO-FILMED	REVISION NO.	REVISIONS	DATE	DRAWN	CHECKED	APPROVED	MICRO-FILMED
									1	FEED PIPE AND BAFFLES ADDED	JULY 30 - 94				

		DESIGNED	JULY '94	MH
		CHECKED		
		APPROVED		
CLIENT	CAMBIOR INC.		CLIENTS DWG. NO.	
PROJECT	MOBRUN MINE			
DRAWING TITLE	HIGH GRADE OK-28 MECHANISM TANK CELL		SCALE	REF. DWG.
			N.T.S.	DWG. NO.
				777081-1
				REV. NO.
				1