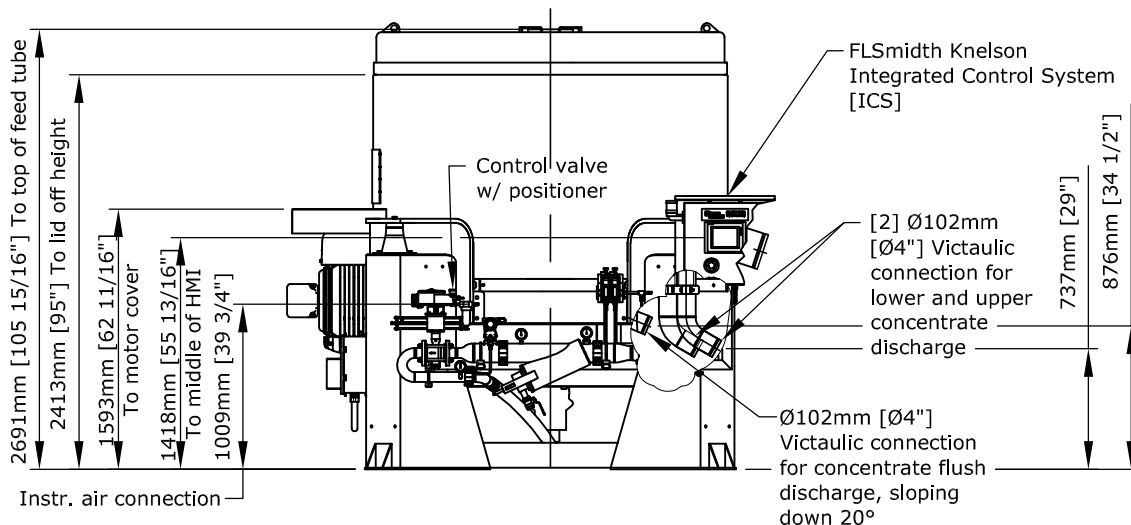
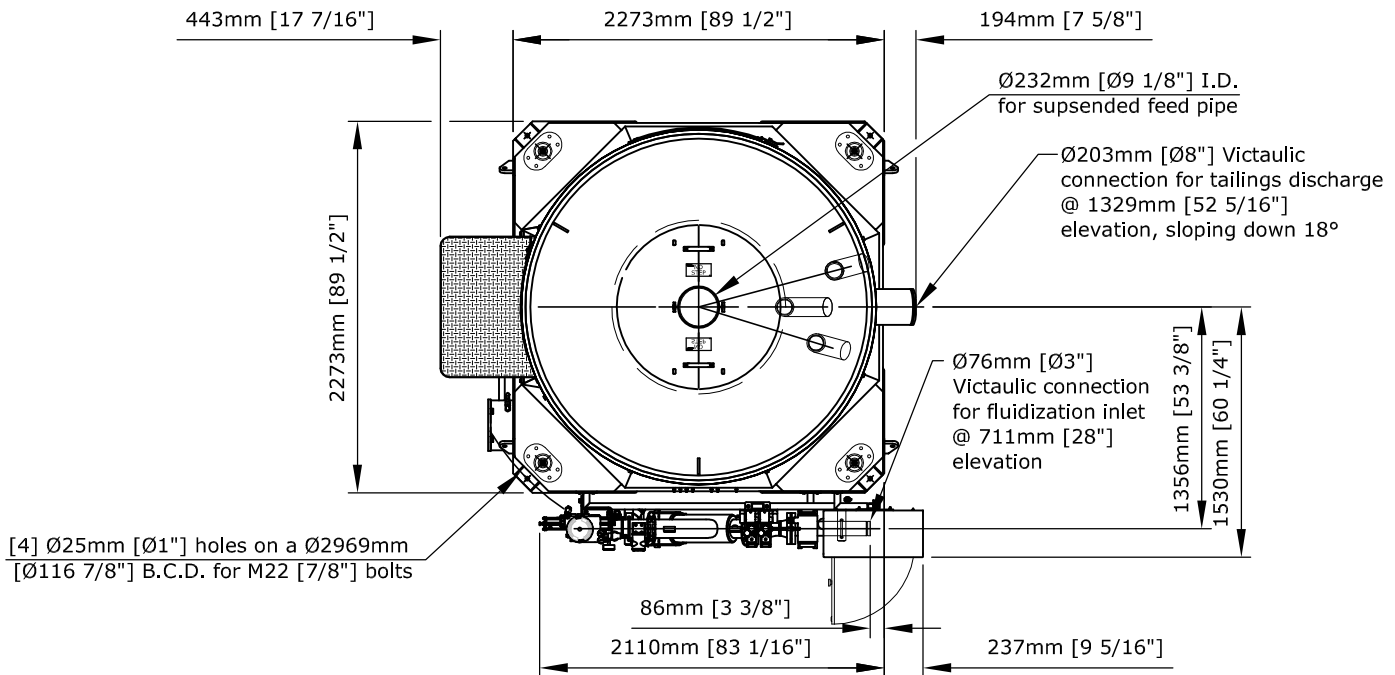


**Knelson Concentrator Model
 KC-CVD32
 Specification Sheet**

Maximum Feed Capacity	- 80 tonnes/hr solids
Maximum Total Volumetric Throughput	- 170m ³ /hr (750USgpm)
Feed Size	- Maximum: 1mm
Feed Density	- 0 - 50% Solids by weight
Minimum Air Flow Required (Auto Piping Only)	- 18.7m ³ /hr (11ft ³ /min) @ 600kPa (90psi)
Concentrator Installation Weight	- 6800kg (15000lbs)
Motor	- 30kW (40HP) - Electric
Fluidization Water	- 16 - 34m ³ /hr (70 - 150USgpm)
G-Force Range	- 30 - 90 G's



Note:
 - Specifications subject to change without notice.
 - All piping to concentrator to be flexible to allow for slight oscillation of unit during operation.
 - Consult FLSmidth Knelson for more detailed operating parameters for your specific application.